

RS 315 10

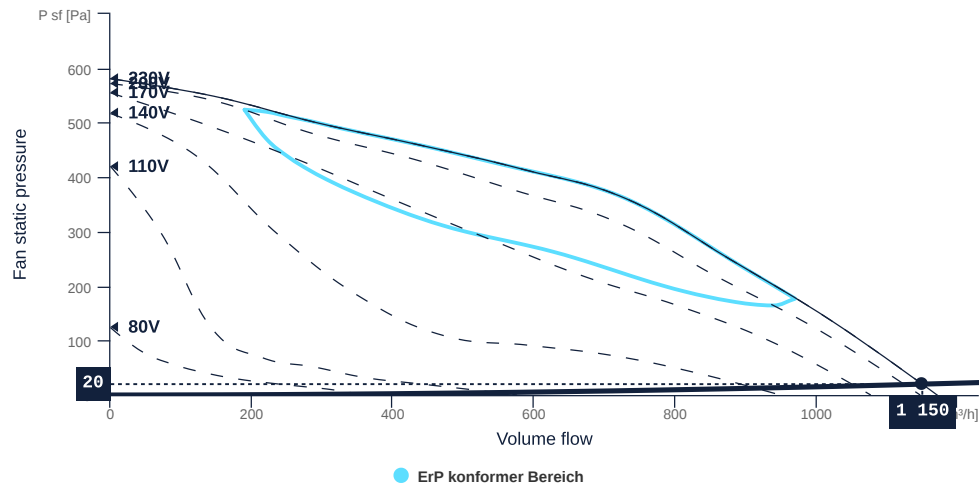
136400

- Compact centrifugal fan
- Backward curved impeller
- Sheet steel housing, RAL 7035, powder coated
- Robust single phase AC motor, steplessly controllable
- Conveyed medium temperature up to 70 °C in continuous operation
- Integrated thermal switch



FAN CURVES

Name	Value	Unit
Volume flow	1150	m ³ /h
Pressure	20	Pa



to the product detail page

TECHNICAL SPECIFICATIONS

Name	Value	Unit	Formula symbol
Volume flow	1150	m³/h	QV _{calc}
Pressure	20	Pa	psf _{calc}
Fan pressure	29	Pa	pf
Fan static pressure	20	Pa	psf
Current consumption Motor	0	A	le
Electrical power consumption	132	W	P _{ek}
Voltage	230	V	U
Rotation speed	2804	1/min	N
Total static efficiency	4	%	etaFaPeK
Total efficiency	7	%	etatPeK
SFP (entire device)	415	W/(m³/s)	sfp _{device}
Sound power level inlet	73	dB(A)	LwA5
Sound power level outlet	76	dB(A)	LwA6
Sound power level housing radiation	60	dB(A)	LwA2

SOUND DATA

Sound power	mid-frequency tape										Unit	Formula symbol
	Σ	63	125	250	500	1000	2000	4000	8000	16000		
suction	74	41	50	66	65	69	65	66	62	38	dB(A)	LwA5
blowout	76	40	54	67	68	69	69	70	63	41	dB(A)	LwA6
Casing break out	60	42	43	47	51	54	57	51	42	18	dB(A)	LwA2

SOUND PRESSURE LEVEL CALCULATOR

Name	Value	Unit
Enveloping surface	Halphsphere	
Distance	3	m

Sound pressure	NR	mid-frequency tape										Unit	Formula symbol
		Σ	63	125	250	500	1000	2000	4000	8000	16000		
suction	52	56	24	33	48	47	52	48	49	44	21	dB(A)	LwA5
blowout	56	59	23	36	50	50	51	52	53	45	24	dB(A)	LwA6
Casing break out	40	43	24	25	29	34	37	39	33	24	0	dB(A)	LwA2



to the product detail page

GENERAL DATA

Name	Value	Unit	Formula symbol
Labeling	CE, UKCA		
Duct size	-		$W \times H_{\text{duct}}$
Pipe connection size (DN)	DN315		DN
Rated voltage (entire device)	230	V	U_{rated}
Phases (entire device)	1~		phase
Electrical protection (entire device)	6 A		fuse
Housing material	Steel		mat _{casing}
Impeller material	Plastic		mat _{impeller}
Weight	5.7	kg	m
Nominal air flow rate, nominal point m ³ /h	968.4	m ³ /h	q_{Vnom}
Nominal external pressure, static	175	Pa	$p_{\text{s,nom}}$
Fan type	Radial		Fan _{type}
Category / Installation situation	A		cat

MAXIMAL DATA

Name	Value		Unit	Formula symbol
	50 Hz	60 Hz		
Max. power consumption (device)	162	238	W	$P_{\text{ed,max}}$
Max. operating current (device)	0.89	1.12	A	$I_{\text{ed,max}}$
Max. speed	2890	3410	1/min	n_{max}
Max. stat. efficiency	42	35.6	%	η_{es}
Max. fan efficiency	42.5	35.8	%	η_{e}
Max. flowrate	1170	1330	m ³ /h	$q_{\text{v,max}}$
Max. stat pressure	580	800	Pa	$p_{\text{st,max}}$
Max. medium temperature	70	40	°C	$T_{\text{m,max}}$
Max. environment temperature	70	40	°C	$T_{\text{amb,max}}$
Min. environment temperature	-25	-25	°C	$T_{\text{amb,min}}$
Min. voltage	80	80	V	U_{min}



to the product detail page

MOTOR DATA

Name	Value		Unit	Formula symbol
	50 Hz	60 Hz		
Rated frequency (device)		50		f
Motor type		AC 1~		phase
Control type		stepless-controlled		ctrltype
Installation type		ORM (Out)		install
Rotation direction		right		rotation
Isolation class		ISO F		ISOclass
Motor-protection		TMI		protectmotor
Protection class		IP33		IPmotor
Is pole-changeable		No		polexch
Type of power supply		AC 1~		pwrsupmotor
Capacity capacitor		5	µF	Ccond
Voltage capacitor		400	V	VUcond
Number of poles (1)		2.000000		num polesw1
Rated voltage	230		V	U _{rated, f1}
Rated current	0.7		A	I _{rated, f1}
Speed	2685		1/min	n _{f1}
Min. temperature	-30		°C	T _{motor, min}
UL-Certification motor		None		ULcert

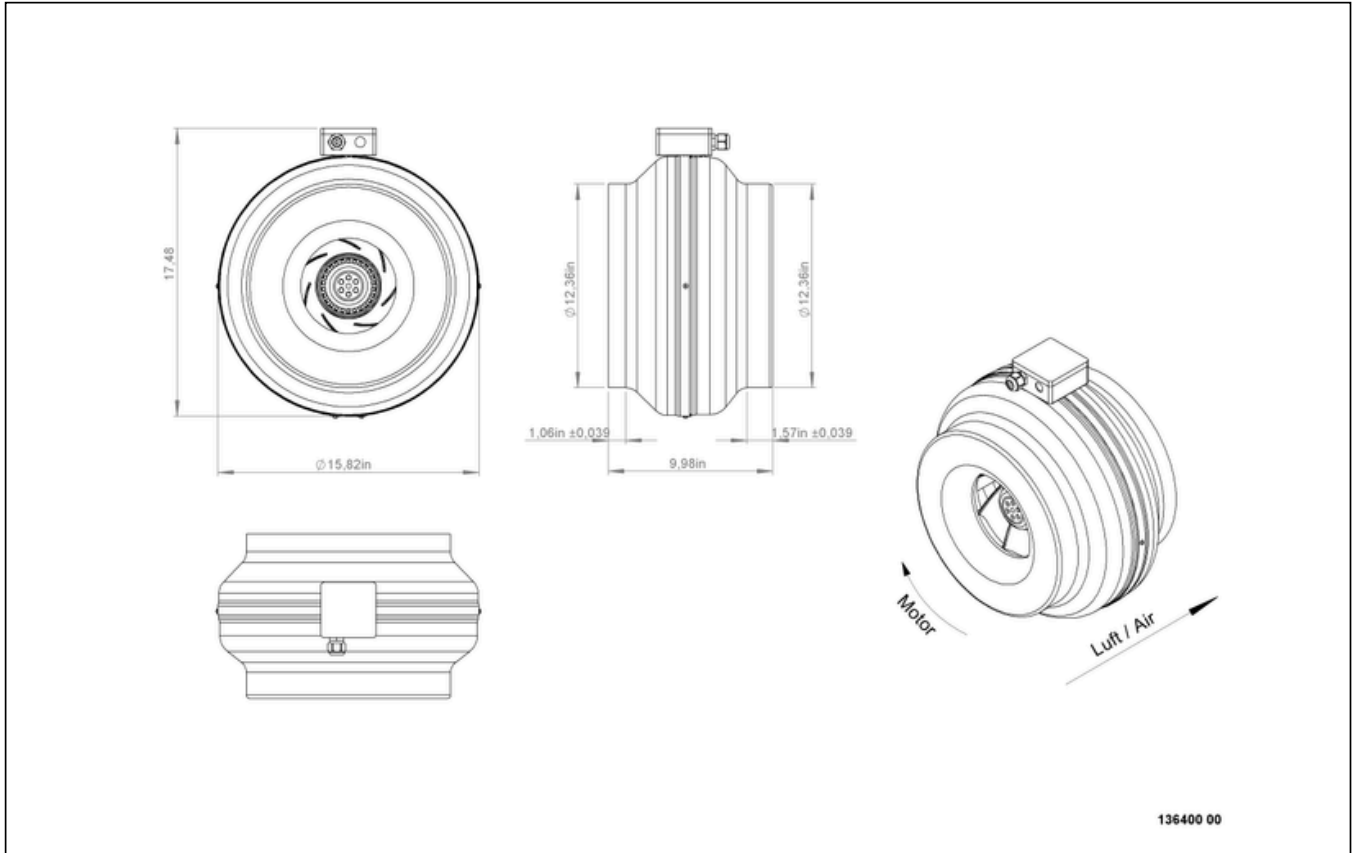


to the product detail page

RS 315 10

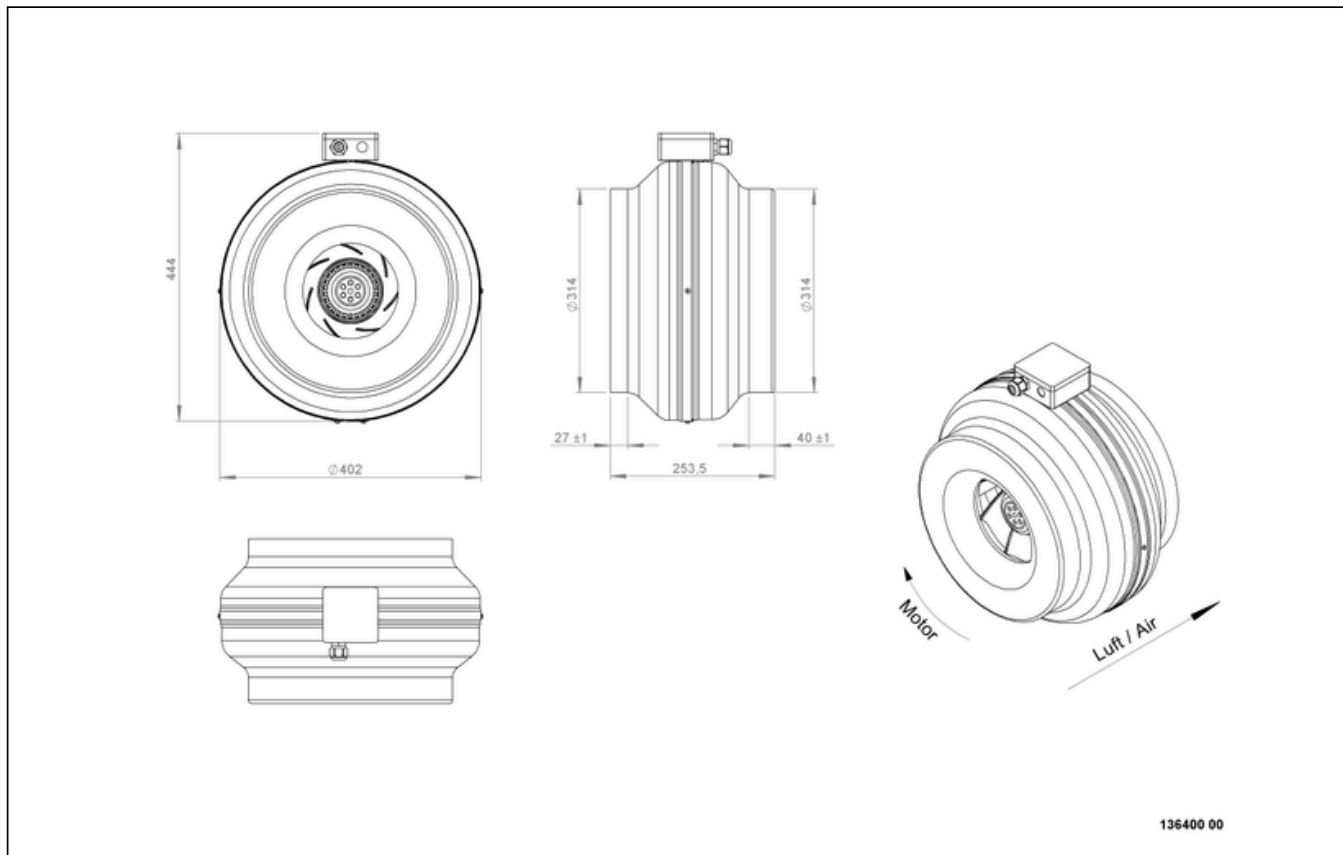
136400

CIRCUIT DIAGRAMS / DIMENSIONAL DRAWINGS



RS 315 10

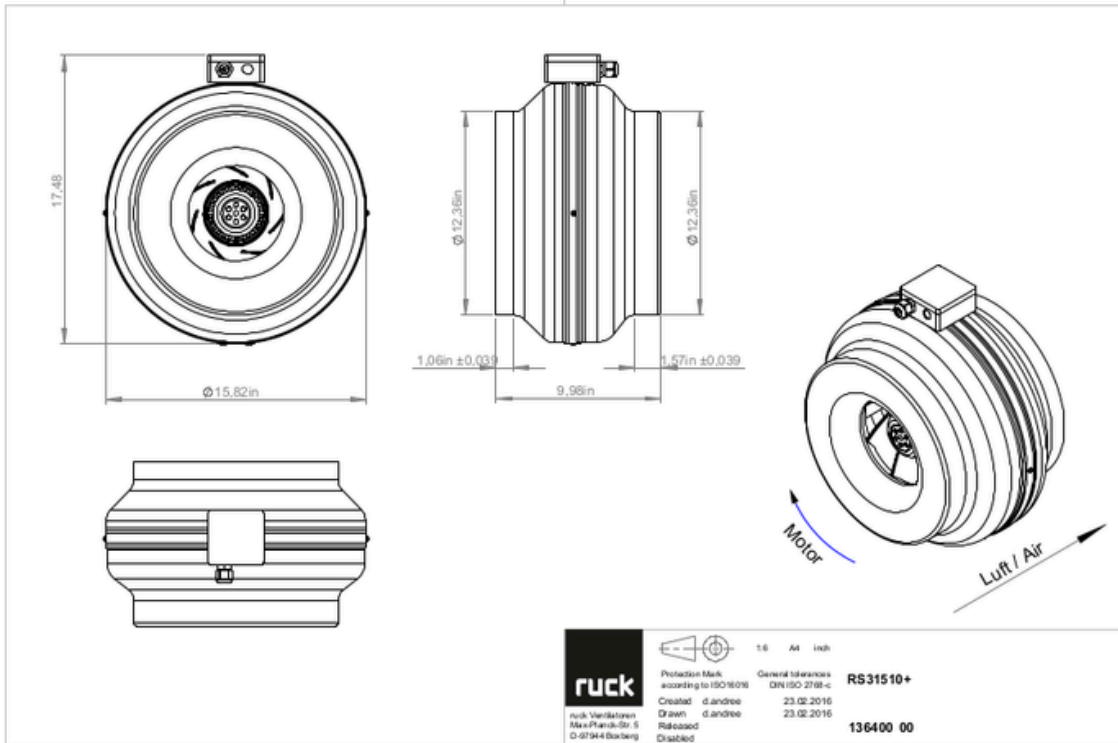
136400



RS 315 10

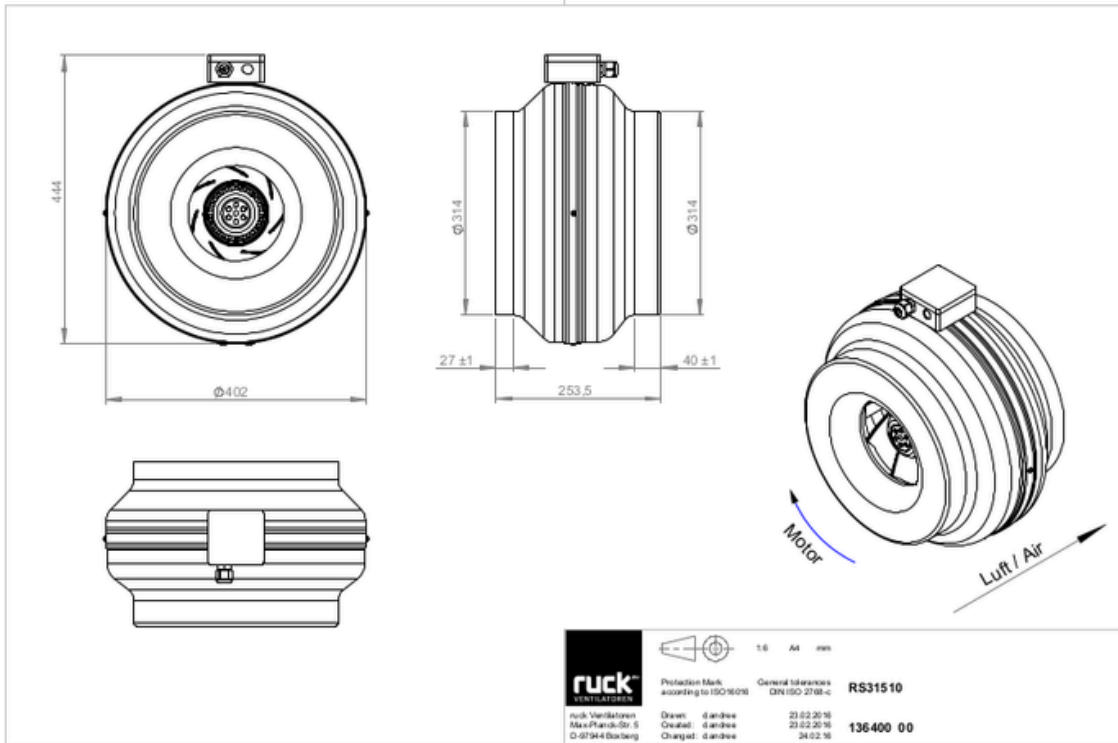
136400

ruck



RS 315 10

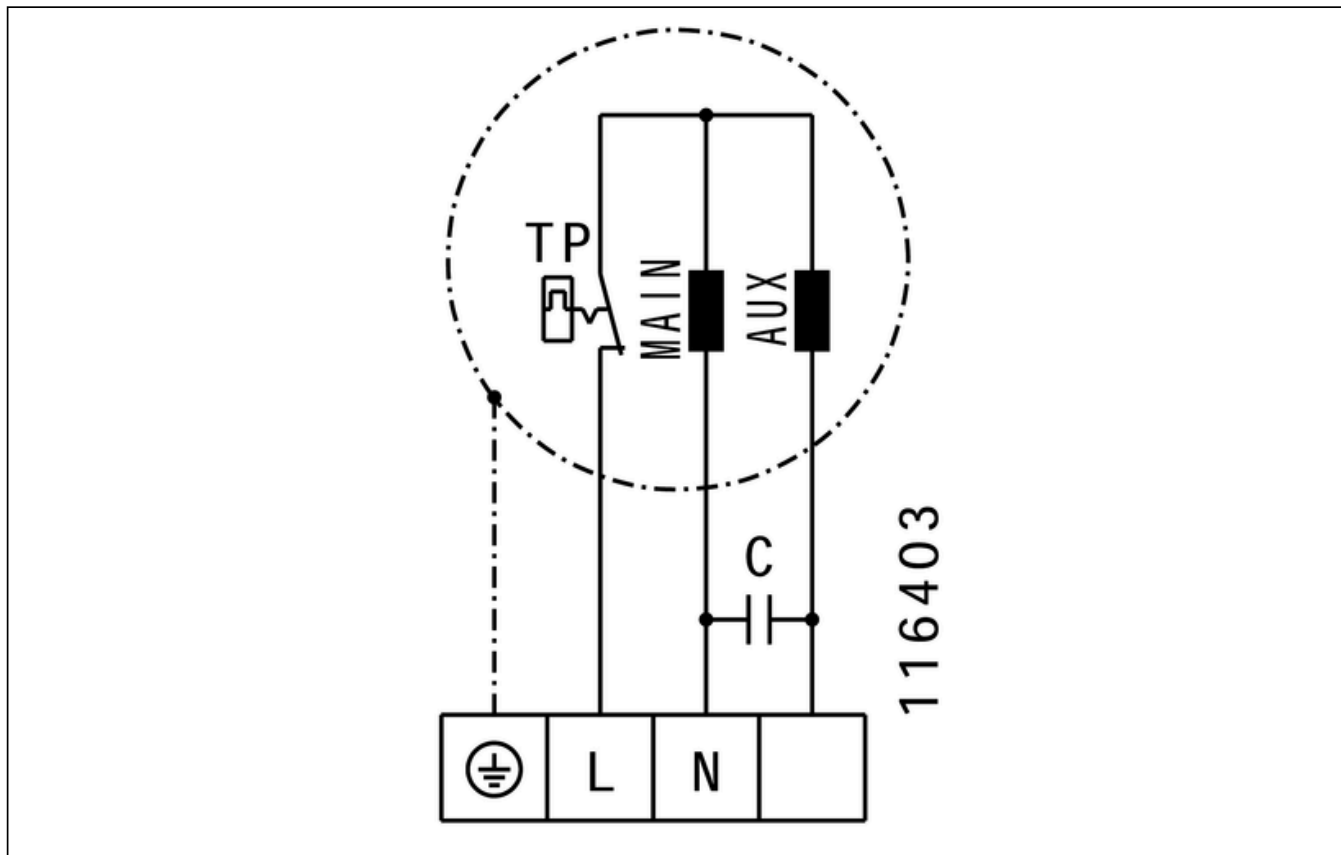
136400



to the product detail page

RS 315 10

136400



116403

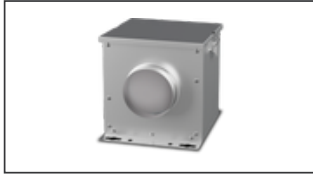


RS 315 10

136400

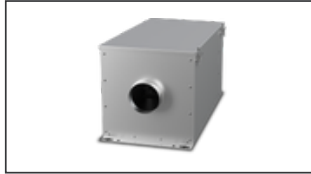
MECHANICAL ACCESSORIES

FV 315 | 112834



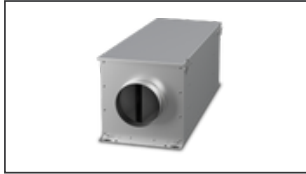
- Air filter box with mat filter ISO Coarse 45 % (G3)
- Toggle-type fastener

FT 315 | 112846



- Air filter box for pocket filter
- Toggle-type fastener
- Galvanized steel sheet housing
- Without filter

FTW 315 | 112855



- Air filter box with pocket filter M5
- Integrated warm water heating coil
- Galvanized steel sheet housing
- Toggle-type fastener

RSK 315 | 102664



- Back draught shutter for tube fitting
- Galvanized steel sheet housing
- Aluminum flaps

MRS 2 | 110095



- Mounting bracket
- Galvanized steel sheet
- Includes: Mounting bracket and 2 Phillips screws (6 x 45 mm), 2 dowels (8 x 40 mm)

RSK 315D | 113489



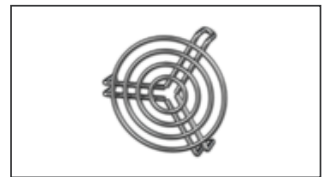
- Back draught shutter for tube fitting
- Galvanized steel sheet housing
- Aluminum flaps
- Integrated gasket

VM 315 | 102652



- Fast clamps for sound decoupling and sealing
- Galvanized steel sheet, 5 mm Neopren gasket
- 1 Pack = 2 pieces

SG 315 01 | 169592



- Protection grille for tube connection
- Galvanized wire

SDS 315 | 169609



- Rigid tube silencer
- Galvanized steel sheet
- Sound insulation packing 50 mm (mineral wool)

SDF 315 | 169645



- Flexible tube silencer
- Galvanized steel sheet
- Sound insulation packing 50 mm



to the product detail page

ELECTRICAL ACCESSORIES

GS 01 | 102787



- Isolator switch
- $U_{max} = 400\text{ V}$, 50/60 Hz
- Switching capacity 400 V 3~ = 7,5 kW
- $I_{max} = 25\text{ A}$

MTY 1 | 103428



- Electronic controller
- Stepless
- 230 V ~, 50 Hz
- Max. ambient temperature 35 °C
- $I_{max} = 1\text{ A}$
- Surface and flush mounting

ETY 15 | 115891



- Electronic controller
- Stepless speed control
- 230 V ~, 50 Hz, 2,5 A
- Max. ambient temperature 35 °C

TEE 015 | 115893



- 5-step transformer
- 230 V ~, 50/60 Hz

TES 0145 | 169581



- Step transformer
- 230 V ~, 50/60 Hz

