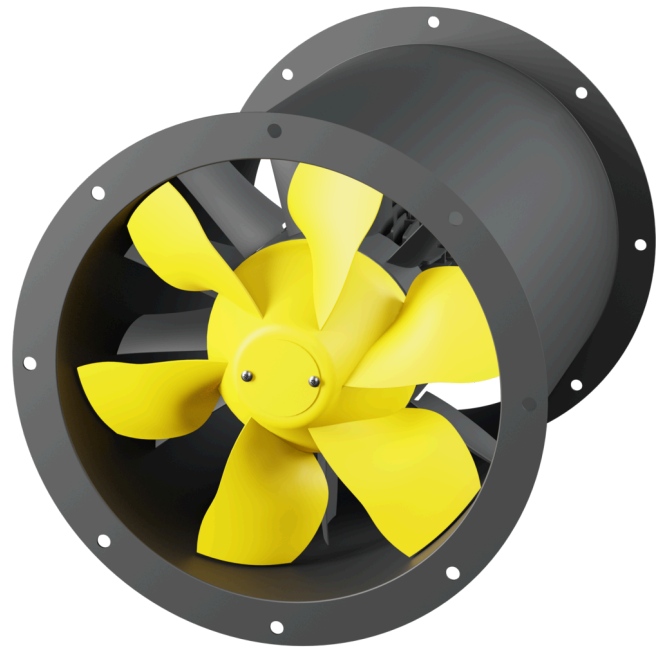


AL 355 EC 01

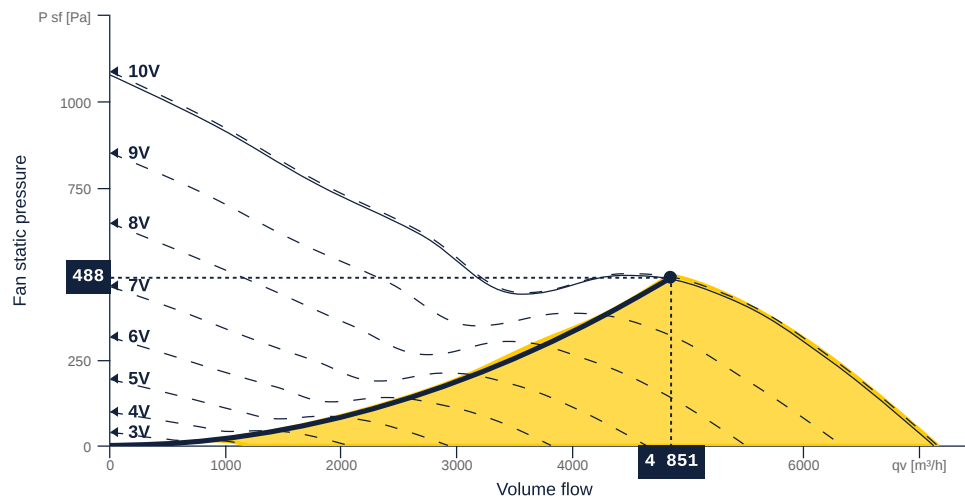
154127

- Innovative, high-efficiency axial fan
- Optimally tuned, CFD-optimized aerodynamics
- Housing weight optimized, powder coated
- High efficiency IE5 motor, steplessly controllable
- Conveyed medium temperature up to 60 °C in continuous operation
- Exceeds current ErP regulation by 15 - 20%



MAP

Name	Value	Unit
Volume flow	4851	m ³ /h
Pressure	488	Pa



to the product detail page

TECHNICAL SPECIFICATIONS

Name	Value	Unit	Formula symbol
Volume flow	4851	m ³ /h	qV _{calc}
Pressure	488	Pa	psf _{calc}
Fan pressure	599	Pa	pf
Fan static pressure	488	Pa	psf
Current consumption Motor	8	A	le
Electrical power consumption	1122	W	P _{ek}
Control voltage	10	V	U _{ctrl}
Rotation speed	2988	1/min	N
Total static efficiency	59	%	etaFaPeK
Total efficiency	72	%	etatPeK
SFP (entire device)	833	W/(m ³ /s)	sfp _{device}
Sound power level inlet	96	dB(A)	LwA5
Sound power level outlet	93	dB(A)	LwA6
Sound power level housing radiation	81	dB(A)	LwA2

SOUND DATA

Sound power	mid-frequency tape										Unit	Formula symbol
	Σ	63	125	250	500	1000	2000	4000	8000	16000		
suction	96	68	81	90	92	88	84	78	70	53	dB(A)	LwA5
blowout	93	60	72	81	90	87	84	80	72	54	dB(A)	LwA6
Casing break out	81	68	69	74	79	69	63	60	61	45	dB(A)	LwA2

SOUND PRESSURE LEVEL CALCULATOR

Name	Value	Unit
Enveloping surface	Halphsphere	
Distance	3	m

Sound pressure	NR	mid-frequency tape										Unit	Formula symbol
		Σ	63	125	250	500	1000	2000	4000	8000	16000		
suction	75	78	51	63	73	74	71	67	61	53	35	dB(A)	LwA5
blowout	72	75	43	54	64	72	69	67	62	54	36	dB(A)	LwA6
Casing break out	61	63	51	52	56	61	51	46	42	43	27	dB(A)	LwA2



to the product detail page

GENERAL DATA

Name	Value	Unit	Formula symbol
Labeling	CE, UKCA		
Duct size	-		WxHduct
Pipe connection size (DN)	DN355		DN
Rated voltage (entire device)	230	V	U _{rated}
Phases (entire device)	1~		phase
Electrical protection (entire device)	10 A		fuse
Housing material	Steel		matcasing
Impeller material	Steel		matimpeller
Weight	18.13	kg	m
Fan type	Axial		Fan _{type}
Category / Installation situation	B		cat

MAXIMAL DATA

Name	Value		Unit	Formula symbol
	50 Hz	60 Hz		
Max. power consumption (device)	1648	1648	W	P _{ed, max}
Max. operating current (device)	8.5	8.5	A	I _{ed, max}
Max. speed	3000	3000	1/min	n _{max}
Max. stat. efficiency	55.7	55.7	%	η _{es}
Max. fan efficiency	70.7	70.7	%	η _e
Max. flowrate	7155	7155	m ³ /h	Q _{v, max}
Max. stat pressure	500	500	Pa	p _{st, max}
Max. medium temperature	60	60	°C	T _{m, max}
Max. environment temperature	60	60	°C	T _{amb, max}
Min. environment temperature	-20	-20	°C	T _{amb, min}



to the product detail page

AL 355 EC 01

154127

ruck

MOTOR DATA

Name	Value		Unit	Formula symbol
	50 Hz	60 Hz		
Rated frequency (device)			50	f
Motor type			EC	phase
Control type			stepless-controlled	ctrltype
Installation type			IRM (In)	install
Isolation class			ISO F	ISOclass
Motor-protection			TEC	protectmotor
Protection class			IP55	IPmotor
Is pole-changeable			No	polexch
Type of power supply			AC 1~	pwrSUPmotor
Rated voltage	220		V	U _{rated, f1}
Rated voltage (wiring 2)	277		V	U _{rated, f2}
Rated current	8.7		A	I _{rated, f1}
Rated current (wiring 2)	6.9		A	I _{rated, f2}
Shaft power	1100		W	P _{out, f1}
Shaft power (wiring 2)	1100		W	P _{out, f2}
Speed	3000		1/min	n _{f1}
Speed (wiring 2)	3000		1/min	n _{f2}
Efficiency	87.8		%	η _{m, f1}
Efficiency (wiring 2)	87.8		%	η _{m, f2}
Min. temperature	-20		°C	T _{motor, min}
UL-Certification motor			None	ULcert

SMOKE EXTRACT DATA

Name	Value	Unit	Formula symbol
Fire resistance class	None		Fclass

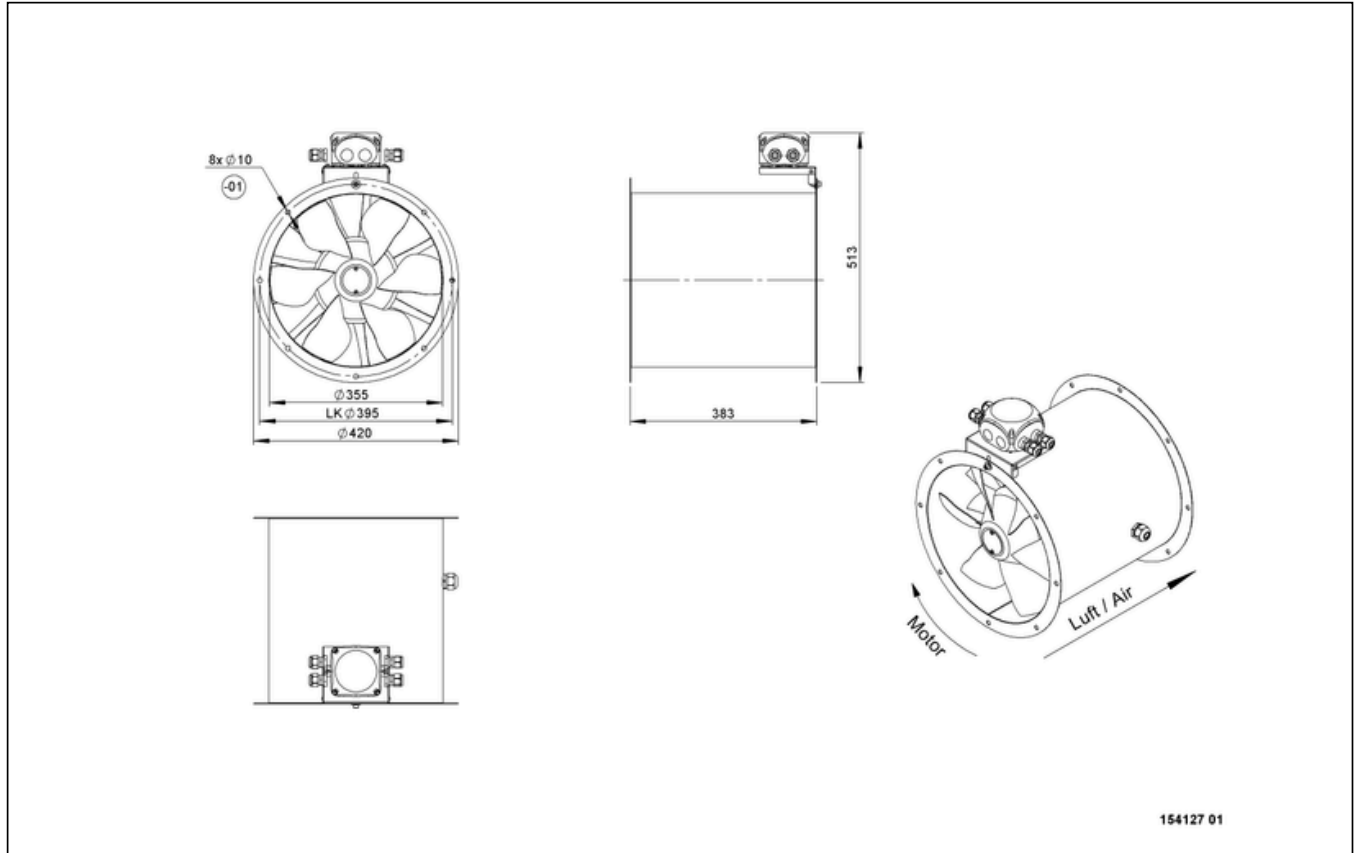


to the product detail page

AL 355 EC 01

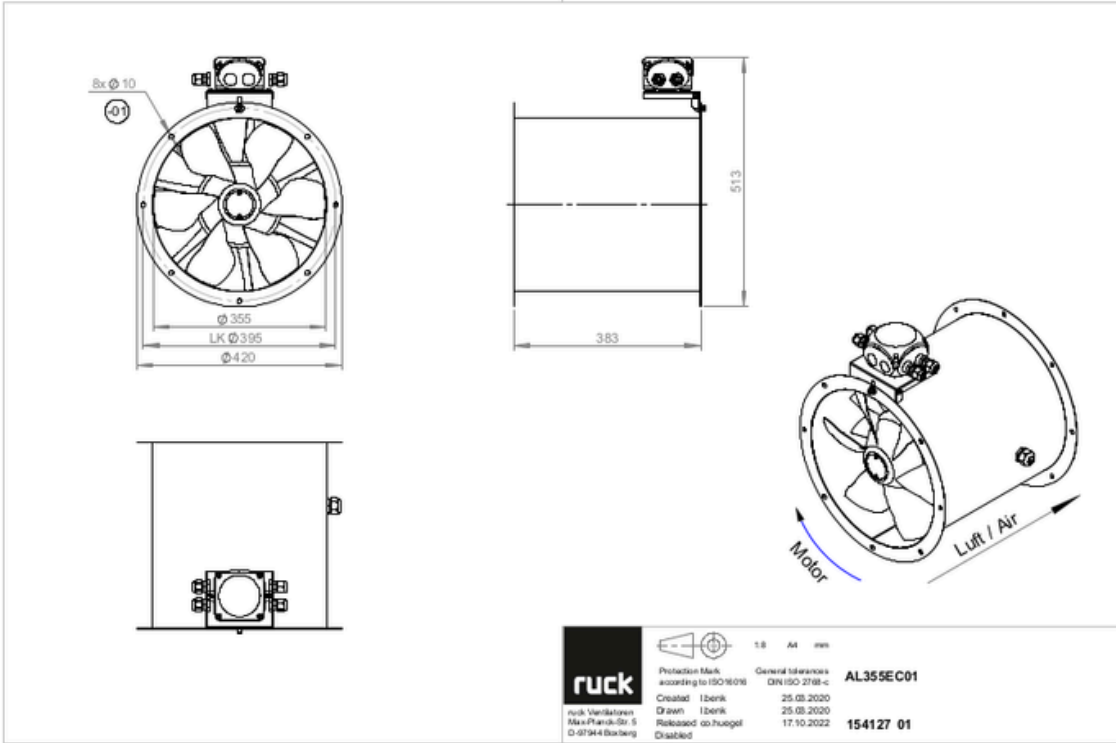
154127

CIRCUIT DIAGRAMS / DIMENSIONAL DRAWINGS



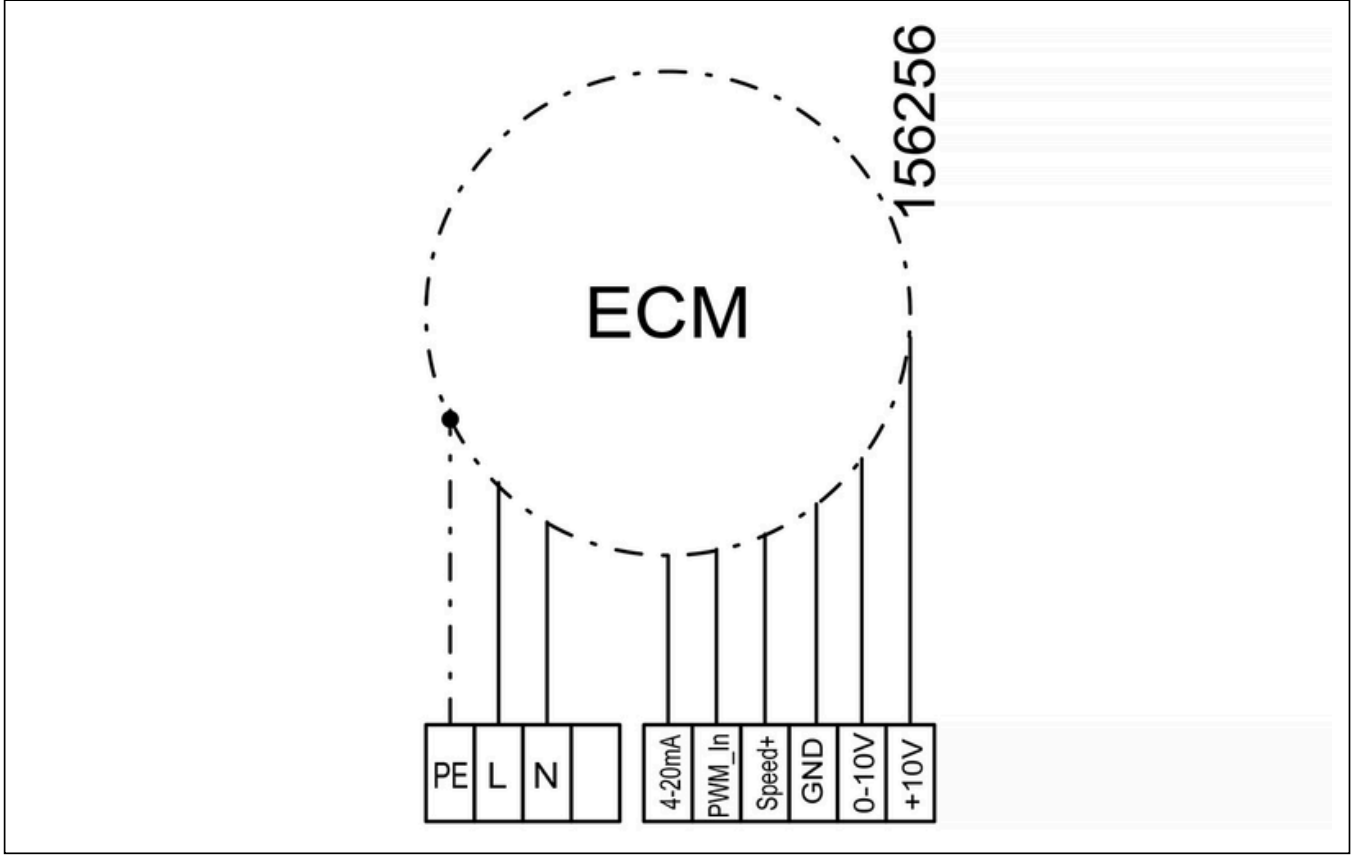
AL 355 EC 01

154127



AL 355 EC 01

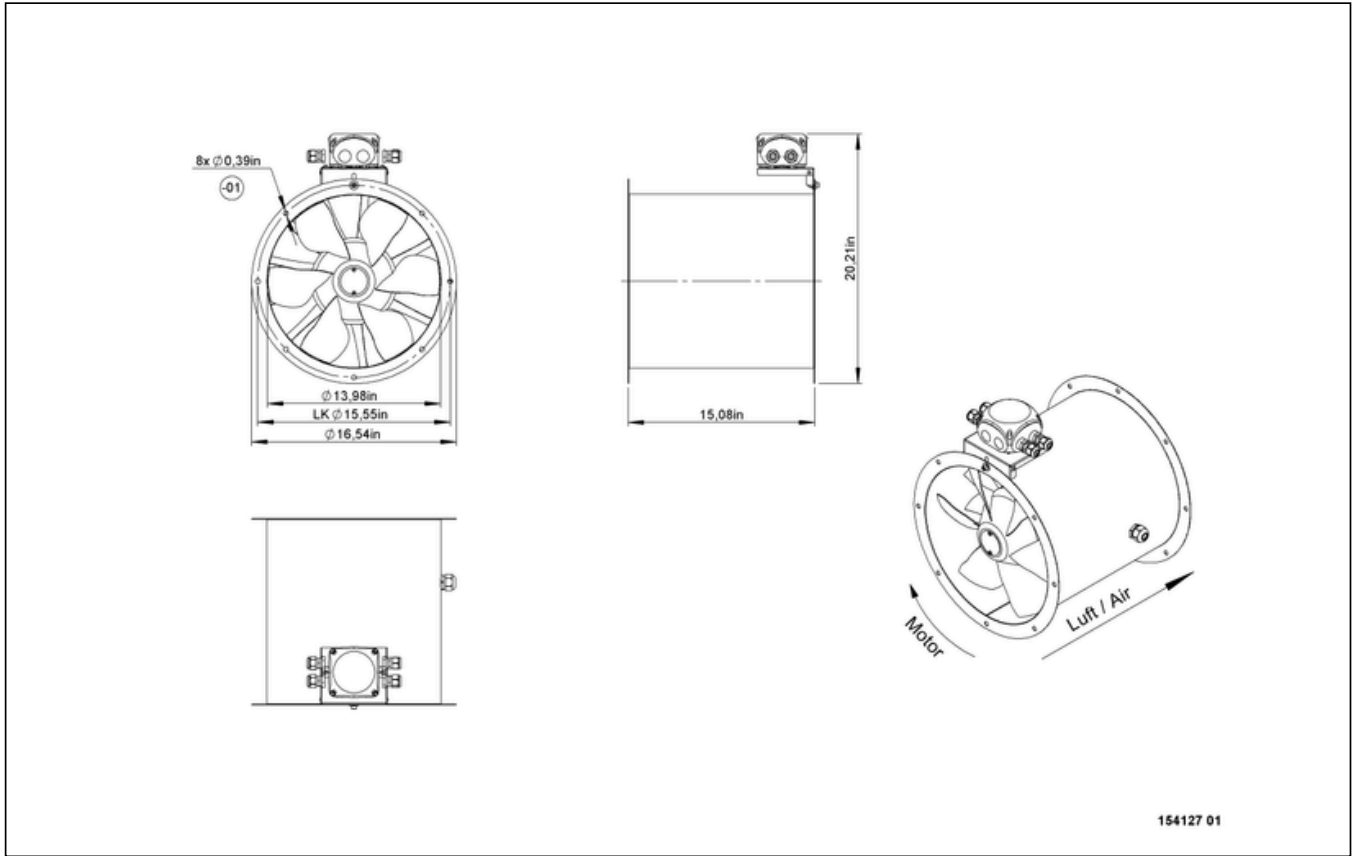
154127



to the product detail page

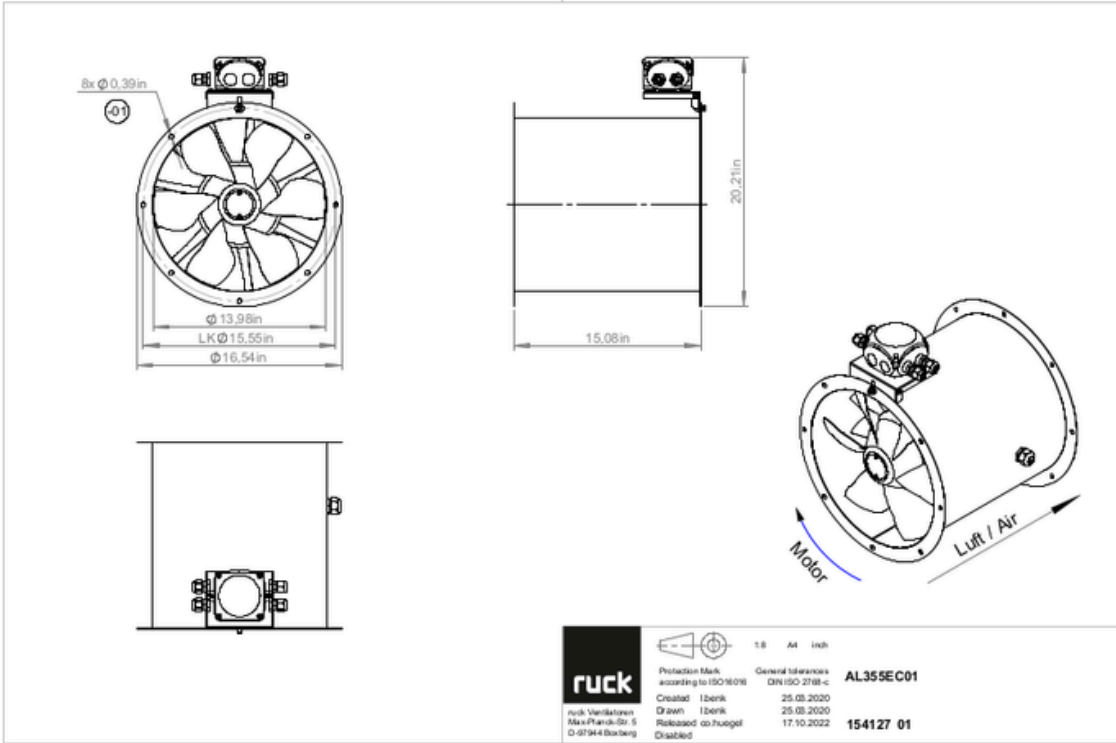
AL 355 EC 01

154127



AL 355 EC 01

154127



to the product detail page

AL 355 EC 01

154127

MECHANICAL ACCESSORIES

RVK 355 | 153889



- Automatic tube shutter
- Sheet steel, powder coated
- For vertical installation
- Flange mounting

RVK H 355 | 154872



- Automatic tube shutter
- Sheet steel, powder coated
- For horizontal installation
- Flange mounting

RAF 355 | 154018



- Round flange
- Sheet steel, powder coated

RVS 355 | 154176



- Tube connection spigot
- Sheet steel, powder coated
- Suitable for outdoor installation
- Flange mounting

ESD 355 | 153961



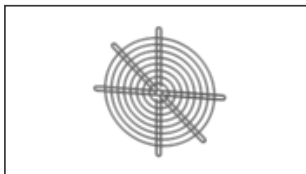
- Inlet cone
- Steel sheet, powder coated
- Flange mounting

FAL 355 | 154806



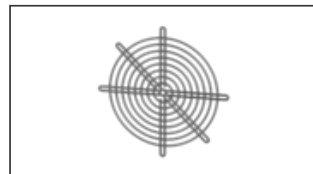
- Mounting foot
- Sheet steel, powder coated

SGW 355 | 154049



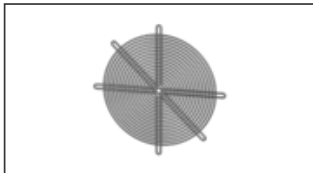
- Protection grille, wide meshed
- Steel sheet, galvanized
- Flange mounting

SGW 400 | 154050



- Protection grille, wide meshed
- Steel sheet, galvanized
- Flange mounting

SGE 355 | 154062



- Protection grille, narrow meshed
- Steel sheet, galvanized
- Flange mounting

FSD 01 | 155498



- Set of 4 vibration dampers
- All metal design, galvanized

FSD 05 | 155502



- Set of 4 vibration dampers
- Made of natural rubber, hardness 55 Shore A

RAS 355 | 154247



- Round spigot, flexible
- Galvanized steel sheet, plastic band (PES)
- Temperature resistant up to 75 °C
- Flange mounting

MR 355 | 165713



- Mounting ring
- For vertical mounting
- Powder-coated sheet steel
- Flange mounting DN 355



to the product detail page

AL 355 EC 01

154127

ELECTRICAL ACCESSORIES

GS 02 | 105386



- Isolator switch
- $U_{max} = 400 \text{ V}$, 50/60 Hz
- Switching capacity 400 V 3~ = 5,5 kW
- $I_{max} = 16 \text{ A}$

MTP 20 | 128146



- Potentiometer 10 k Ω
- Switching contact 1A/250V AC - 2,5A/12V DC
- Max. ambient temperature 50 °C
- VDE

MTP 30 | 143289



- Stepped potentiometer 10 k Ω
- Step 1 + 2 settable 10 % - 100 % Vdc
- Step 3 100 % Vdc
- Supply voltage +10 Vdc

MTP 40 | 147359



- Potentiometer 10 k Ω
- Connection in terminal box
- Max. ambient temperature 50 °C
- PU: 20 pieces

SEN AIR | 148641



- Airflow and temperature transducer
- Measuring range temperature 0...+50 °C
- With adjustable switching threshold (air speed)
- Measuring range air velocity up to 20 m/s

CON P1000 | 115259



- Constant pressure control
- Actual value display possible via optional control unit
- Output 0-10 V DC + FC enable + setpoint reached
- Pressure setting by means of decade switch



to the product detail page